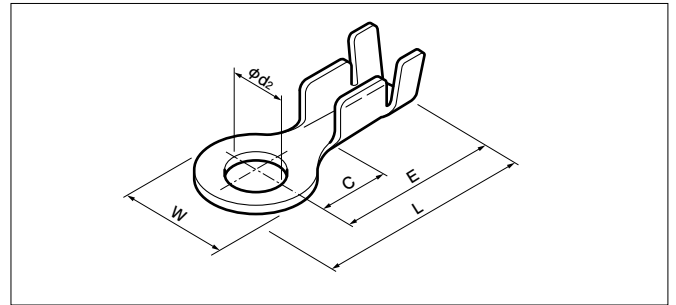


RING TONGUE TERMINAL

With insulation grip



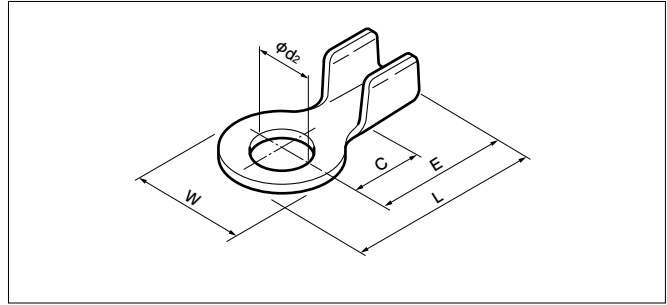
UL LISTED E42024 SPB Certified LR20812

Model No.	Standard	Applicable wire			Material	Surface finish	Dimensions (mm)					Q'ty/reel	
		mm ²	AWG #	Insulation Q.D. (mm)			d ₂ (dia.)	E	L	C	W		Material thickness
SRA-01T-3.2	UL LISTED SPB	0.2 to 0.5	24 to 20	1.5 to 2.7	Brass	Tin-plated	3.2	13.4	16.9	7.2	7.0	0.32	10,000
—													
SRA-21-3	UL LISTED SPB	0.3 to 0.75	22 to 18	1.5 to 2.8	Brass	Tin-plated	3.7	13.0	16.8	5.8	7.5	0.5	7,500
SRA-21T-3						—							
SRA-21T-3.7						—							
SRA-21-4						Tin-plated							
SRA-21T-4						—							
SRA-21-H5						Tin-plated							
SRA-21T-H5	—												
SRA-51T-3	UL LISTED SPB	0.5 to 2.0	20 to 14	2.6 to 3.8	Brass	Tin-plated	3.2	13.0	16.8	5.8	7.5	0.5	7,500
SRA-51-3.7						—							
SRA-51T-3.7						Tin-plated							
SRA-51-4						—							
SRA-51T-4						Tin-plated							
SRA-51-H5						—							
SRA-51T-H5	Tin-plated												
SRB-51-3	UL LISTED SPB	0.5 to 2.0	20 to 14	2.6 to 3.8	Brass	—	3.2	15.0	19.3	7.8	8.5	0.5	5,000
SRB-51T-3						Tin-plated							
SRB-51-3.7						—							
SRB-51T-3.7						Tin-plated							
SRB-51-4						—							
SRB-51T-4						Tin-plated							
SRB-51-H5	—												
SRB-51T-H5	Tin-plated												
SRB-51-5	—												
SRB-51T-5	Tin-plated												
SRC-01-2.5	UL LISTED SPB	0.2 to 0.3	24 to 22	1.3 to 1.7	Brass	—	2.5	7.0	9.3	2.9	4.6	0.32	15,000
SRC-01T-2.5						Tin-plated							
SRC-51-M3	UL LISTED SPB	0.5 to 2.0	20 to 14	2.6 to 3.8	Brass	—	3.2	13.5	16.8	6.7	6.5	0.5	7,500
SRC-51T-M3						Tin-plated							
SRC-51-M3.5						—							
SRC-51T-M3.5						Tin-plated							
SRC-51T-M4	—												
SRC-51T-M4	Tin-plated												
SRF-51-3	UL LISTED SPB	0.5 to 2.0	20 to 14	2.6 to 3.8	Brass	—	3.2	11.5	15.3	4.8	7.5	0.5	7,500
SRF-51T-3						Tin-plated							
SRF-51-3.7						—							
SRF-51T-3.7						Tin-plated							
SRF-51T-4						—							
SRF-51-H5						Tin-plated							

RoHS2 compliance

RING TONGUE TERMINAL

Without insulation grip



Listed E42024

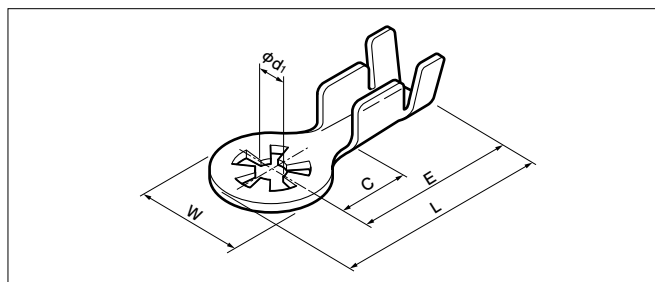
Certified LR20812

Model No.	Standard	Applicable wire		Material	Surface finish	Dimensions (mm)					Q'ty/reel	
		mm ²	AWG #			d ₂ (dia.)	E	L	C	W		Material thickness
SRA-20T-2.5		0.3 to 0.75	22 to 18	Brass	Tin-plated	2.5	7.5	9.8	4.2	4.6	0.4	15,000
SRA-20-3.2					—	3.2						
SRA-20T-3.2					Tin-plated	3.2						
SRA-50T-3		0.5 to 2.0	20 to 14	Brass	Tin-plated	3.2	8.7	12.5	4.7	7.5	0.5	10,000
SRA-50-3.7					—	3.7						
SRA-50T-3.7					Tin-plated	3.7						
SRA-50T-4					Tin-plated	4.3						
SRA-50T-H5					Tin-plated	5.1						
SRB-50-3		0.5 to 2.0	20 to 14	Brass	—	3.2	12.7	17.0	7.7	8.5	0.5	7,500
SRB-50T-3					Tin-plated	3.2						
SRB-50-3.7					—	3.7						
SRB-50T-3.7					Tin-plated	3.7						
SRB-50-4					—	4.3						
SRB-50T-4					Tin-plated	4.3						
SRB-50-H5					—	5.1						
SRB-50-5					Tin-plated	5.3						
SRC-50T-M3		0.5 to 2.0	20 to 14	Brass	Tin-plated	3.2	10.0	13.3	6.7	6.5	0.5	15,000
SRC-50T-M3.5					Tin-plated	3.7						
SRC-50-M4					—	4.3						
SRC-50T-M4					Tin-plated	4.3						
SRD-20-3.7		0.3 to 0.75	22 to 18	Brass	—	3.7	8.7	12.5	4.7	7.5	0.5	15,000
SRD-20T-3.7					Tin-plated	3.7						
SRD-20-4					—	4.3						
SRD-20T-4					Tin-plated	4.3						

RoHS2 compliance

RING TONGUE TERMINAL

With toothed lock



UL® Recognized E42024

CS Certified LR20812

Model No.	Standard	Applicable wire			Material	Surface finish	Dimensions (mm)					Q'ty/reel	
		mm ²	AWG #	Insulation Q.D. (mm)			d ₁ ^{Note} (dia.)	E	L	C	W		Material thickness
SRT-51T-3 (FE)	UL CS	0.5 to 1.25	20 to 16	1.7 to 3.4	Iron	Tin-plated	4.1 (3.1)	12.2	16.8	6.1	9.2	0.5	5,000
SRT-51T-4 (FE)							5.1 (4.1)						

RoHS2 compliance

Note: The size in parentheses of ϕd_1 is the inner diameter of the toothed lock washer before raising the tooth.

Crimping machine, Applicator

Contact	Crimping machine	Applicator	Crimp applicator with dies
SRA-01(T)-**	AP-K2N	MK-L	APLMK SRA01
SRA-20(T)-**			APLMK SRA20
SRA-21(T)-**			APLMK SRA21
SRA-50(T)-**			APLMK SRA50
SRA-51(T)-**			APLMK SRA51
SRB-50(T)-**			APLMK SRB50
SRB-51(T)-**			APLMK SRB51
SRC-01(T)-**			APLMK SRC01
SRC-50(T)-**			APLMK SRC50
SRC-51(T)-**			APLMK SRC51
SRD-20(T)-**			APLMK SRD20
SRF-51(T)-**			APLMK SRF51
SRT-51(T)-**			APLMK SRT51

Note: Contact JST for fully automatic crimping applicator.

* In using the products, refer to "Handling Precautions for Terminals and Connectors" described on our website (Technical documents of Product information page).

- * RoHS2 compliance
- * Dimensional unit: mm
- * Contact JST for details.